



Thank you for choosing CYmodel  
Global : [www.cymodel.com](http://www.cymodel.com)  
Australia : [www.austars-model.com](http://www.austars-model.com)  
Italia : [www.biellaexpress.com](http://www.biellaexpress.com)

# Spitfire MK IX

Item Nr: CY8144B



## Instruction Manual

Before commencing assembly, please read these instructions thoroughly.

**ALMOST - READY - TO - FLY**



Warning!

### SAFETY PRECAUTIONS

This radio control model is not a toy!

### SPECIFICATION

- First-time builders should seek advice from people having building experience in order to assemble the model correctly and to produce its performance to full extent.
- Assemble this kit only in places out of childrens reach!
- Take enough safety precautions prior to operating this model. You are responsible for this model's assembly and safe operation!
- Always keep this instruction manual ready at hand for quick reference, even after completing the assembly.
- Could cause serious injury or even death

Wing Span: 2350 mm (92.5 in)  
Wing Area: 91.8 dm<sup>2</sup> (1423sq.in)  
Total Length: 2000 mm (78.8 in)  
Radio : 6channels , 9 servos  
Engine : 50cc gas engine

# REQUIRED FOR OPERATION (Purchase separately)

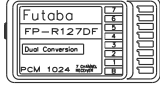
- 1** A minimum 6channel radio for airplanes (with 9servos).  
And dry batteries.

 **CAUTION:** Only use a minimum 6channel radio for airplanes! (No other radio may be used!)

A minimum 6 channel transmitter for airplanes.



12 AA-size Batteries




receiver



remote control

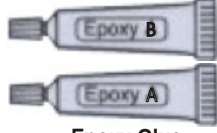

For handing the radio properly, refer to its instruction manual.


- 2** Battery (need 2)  Switch (need 2) 

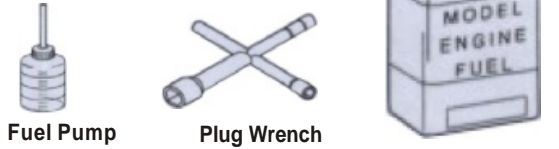
- 3** Servo(need 9 servos) 

- 4** Engine and Muffler  
Model Airplane engine:50cc gas engine



- 5** Glue  
- Epoxy Glue Instant glue

- 6** required for engine starting  **WARNING:** Normal gasoline cannot be used with glow engines.
- Glow engine fuel only.

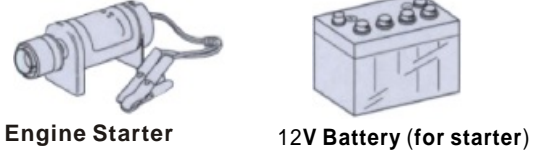


Fuel Pump

Plug Wrench

- 7** Silicone Tube  Fuel Filter 

- 8** Other equipment for enhancing airplane operation & performance



Engine Starter

12V Battery (for starter)

- 9** Purchase a propeller that will match your engine 

# TOOLS REQUIRED ( Purchase separately)

Sharp Hobby Knife



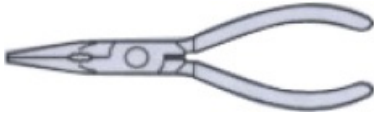
Phillips Screw Driver



Awl



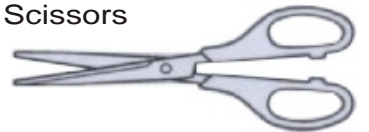
Needle Nose Pliers



Wire Cutters





Scissors





# BEFORE YOU BEGIN


- 1 . Read through the manual before you begin ,so you will have an overall idea of what to do.
- 2 . Check all parts .if you find any defective or missing parts .contact your local dealer.
- 3 Symbols used throughout this instruction manual,comprise.


 Apply epoxy glue.

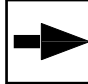
 Drill holes with the specified Diameter(here:2mm)

 Must be purchased separately!


 **Warning!**

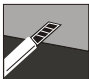
 Apply instant glue (CA glue,super glue).


 Ensure smooth non-binding movement while assembling.

 Pay close attention here!

Do not overlook this symbol.

 Assemble left and right Sides the same way.

 Cut off shaded portion.

 Cut off excess.

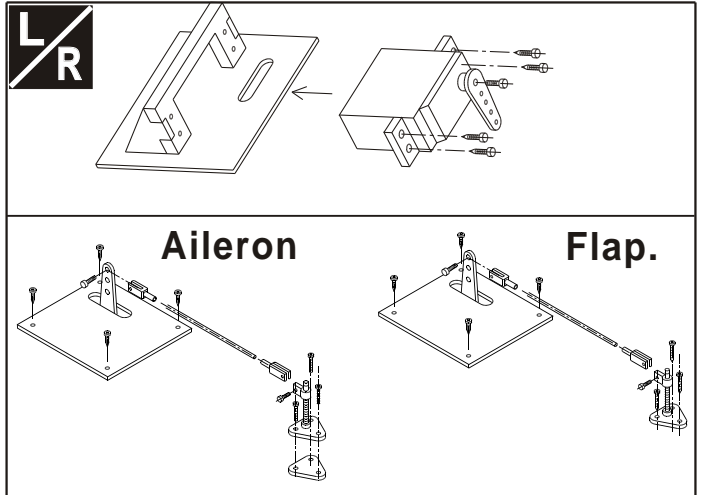


## Accessory list for this page.

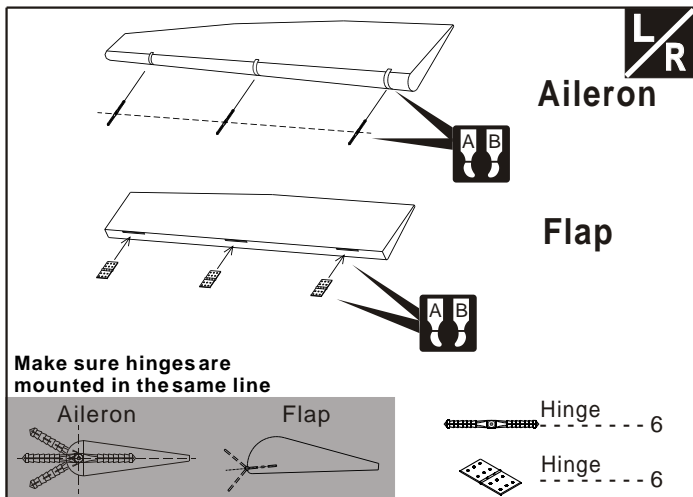
- 2.3X10mm Tp screw ----- 16
- 3X35mm screw ----- 6
- 2X8mm screw ----- 8
- 2.5X85mm rod ----- 4
- 3X12mm TP screw ----- 6
- Hinge ----- 6

- HORN ----- 4
- 4X40 Screw ----- 2
- 4X30 Screw ----- 4
- Rod adjuster ----- 8
- Connecting rod head ----- 4
- Hinge ----- 4
- Hinge ----- 6

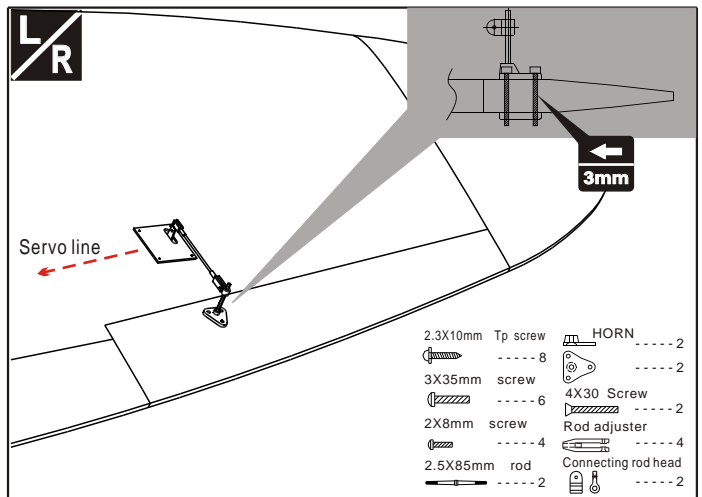
## 3 Install the servo



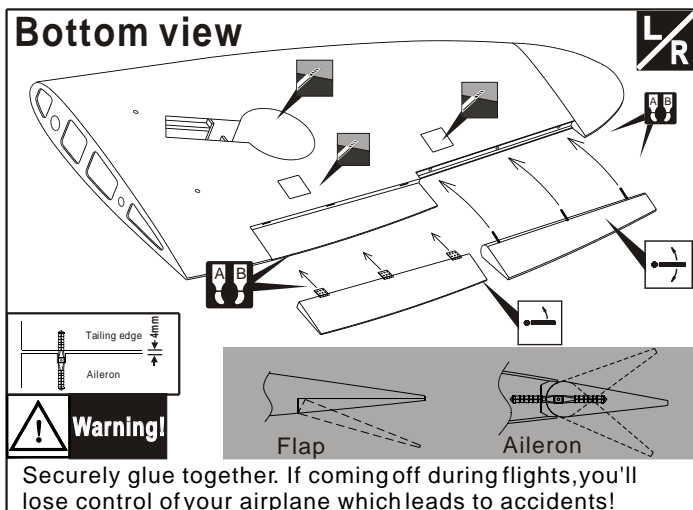
## 1 Install the aileron and flap



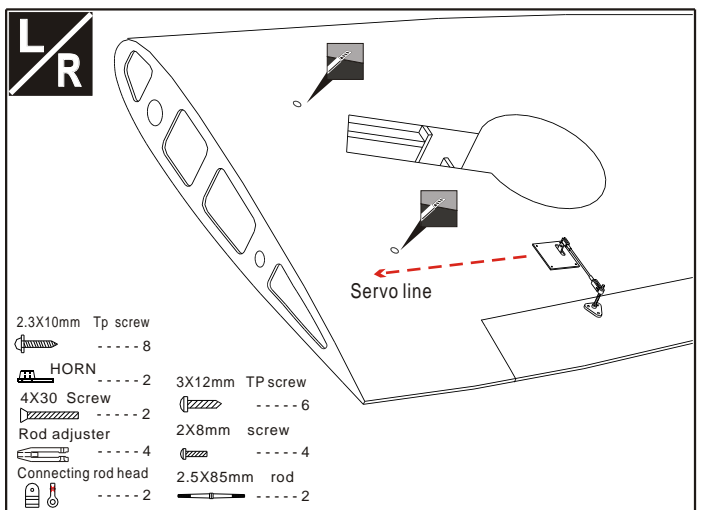
## 4 Install the servo of aileron



## 2 Install the aileron and flap

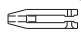

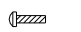



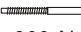



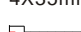

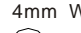
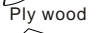


## 5 Install the servo of flap



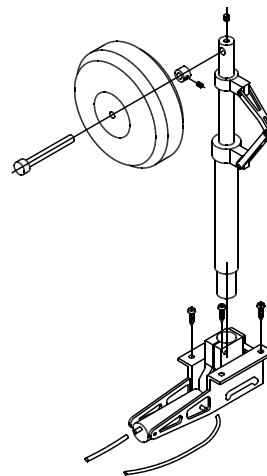


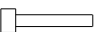
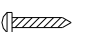



## Accessory list for this page.

Rod adjuster  ----- 1	5X45mm Axletree  ----- 2
2X8mm screw  ----- 1	3X20mm Tp screw  ----- 8
Retainer  ----- 1	5.2mm Collar  ----- 2
Rod (1.8X80mm)  ----- 1	3X3mm screw  ----- 2
900 Air line  ----- 2	4X4mm screw  ----- 2
4X35mm screw  ----- 4	Ply wood  ----- 2
4mm Washer  ----- 4	Ply wood  ----- 4

## 8

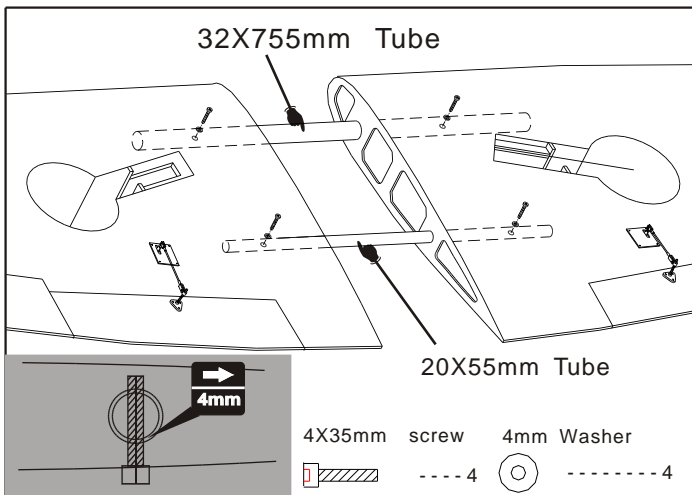
## Install the main landing gear



5X45mm Axletree  ----- 2
3X20mm Tp screw  ----- 8
5.2mm Collar  ----- 2
3X3mm screw  ----- 2
4X4mm screw  ----- 2

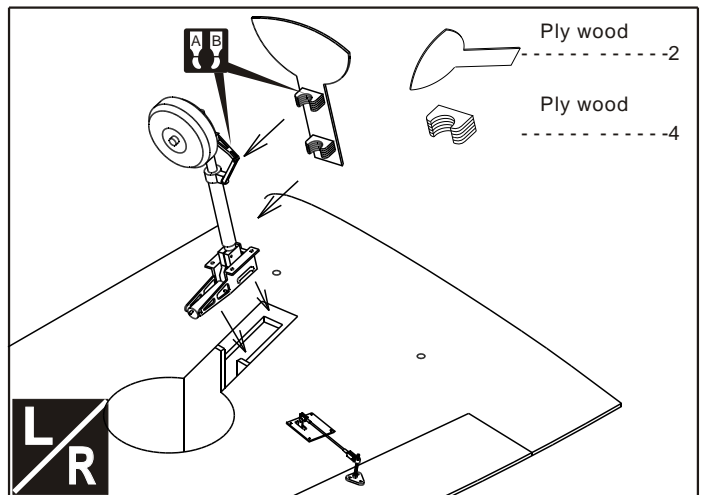
## 6

## Main wing installing(Bottom)



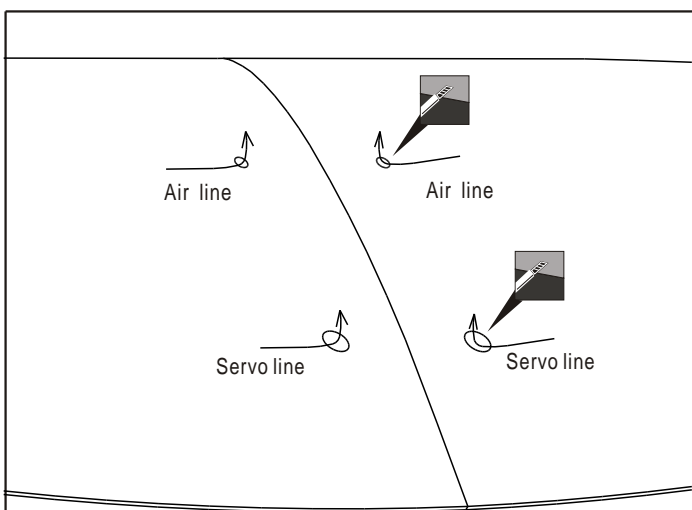
## 9

## Install the main landing gear



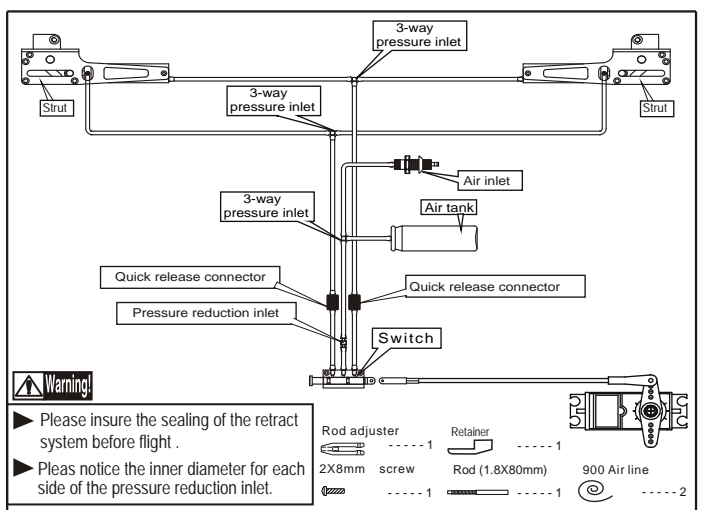
## 7

## Main wing installing(Top)



## 10

## Install the main landing gear

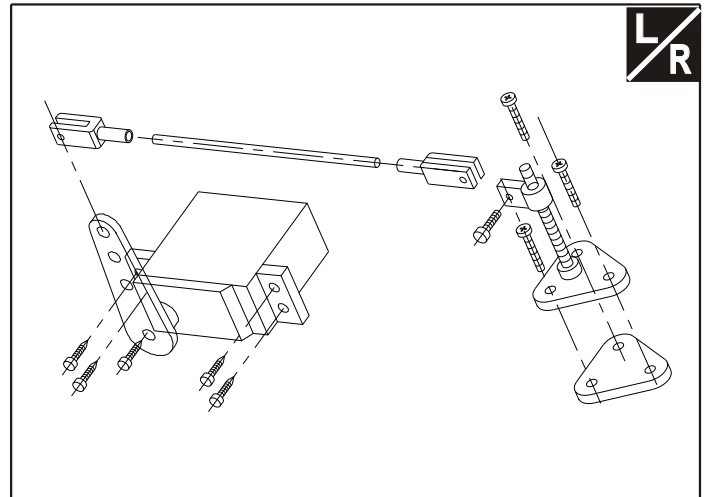




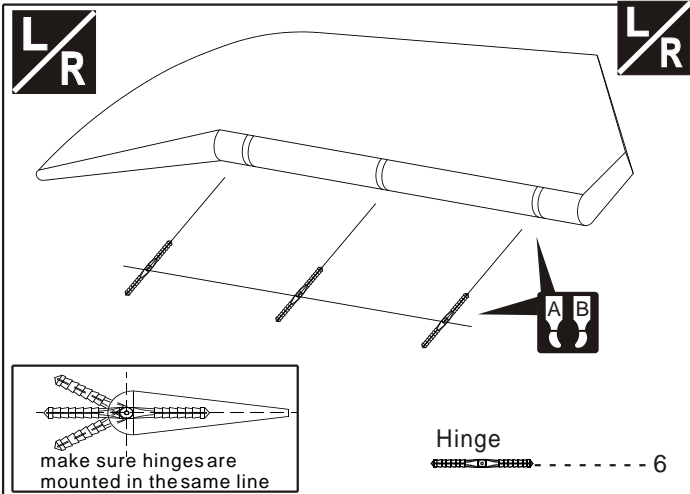
## Accessory list for this page.

	HORN	-----2	3X30mm screw
		-----2	-----6
	4X40 Screw	-----2	2X8mm screw
	Rod adjuster	-----4	-----4
	Connecting rod head	-----2	2.5X85mm rod
			-----2
			-----9

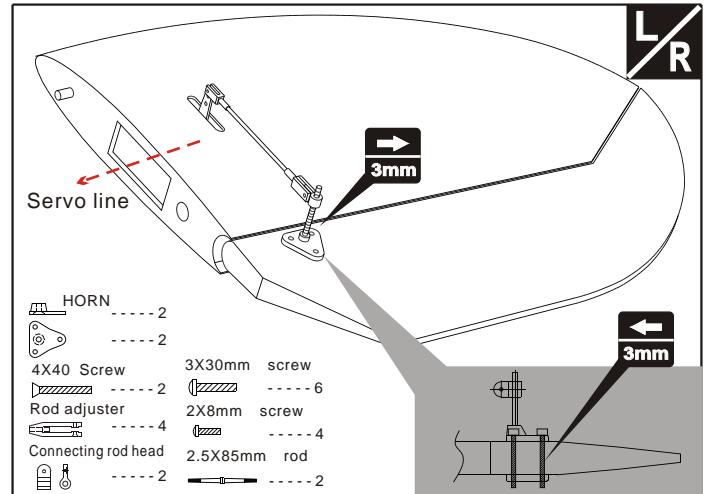
## 13 Install the elevator servos



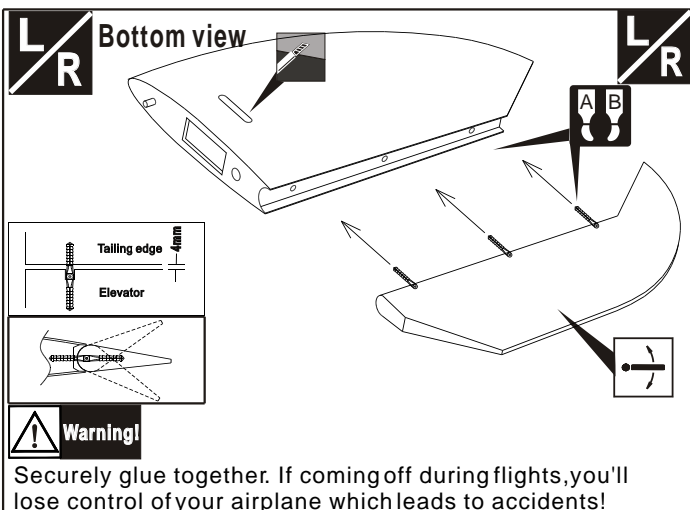
## 11 Install the elevator



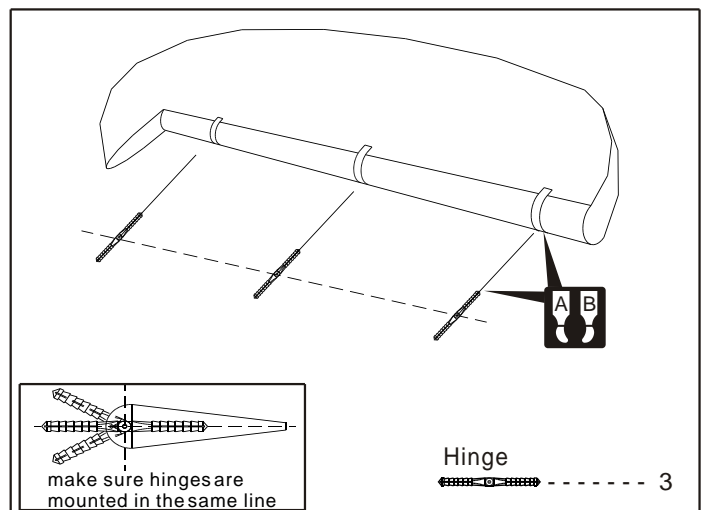
## 14 Install the elevator servos



## 12 Install the elevator



## 15 Install the rudder

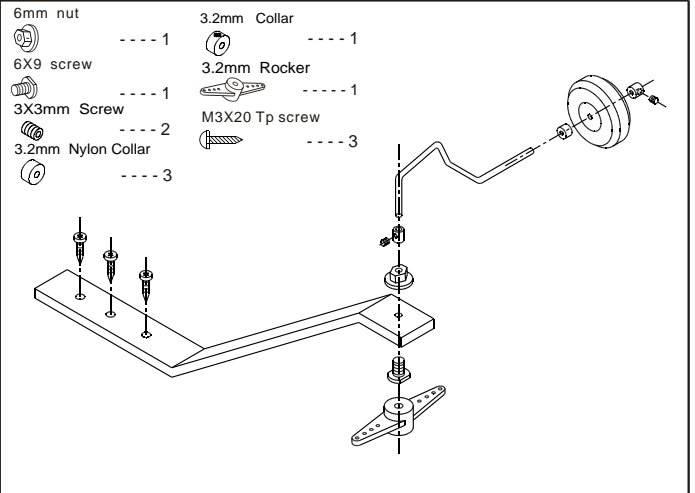




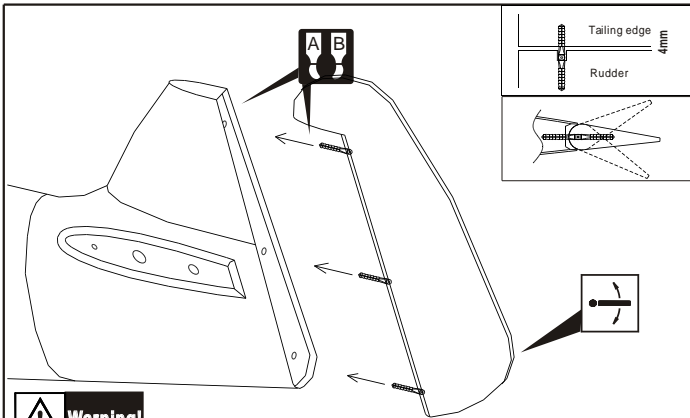
## Accessory list for this page.

HORN ----- 2	6mm nut ----- 1
4X30 Screw ----- 2	6X9 screw ----- 1
Rod adjuster ----- 4	3X3mm Screw ----- 3
Connecting rod head ----- 4	3.2mm Nylon Collar ----- 2
Rod ----- 4	3.2mm Collar ----- 1
Aluminium tube ----- 4	3.2mm Rocker ----- 1
2X8mm screw ----- 2	M3X20 Tp screw ----- 3
3mm nut ----- 6	80mm spring ----- 2
3X35mm screw ----- 3	
1400mm Steel wire ----- 2	

## 18 Install the servo of rudder&tail wheel

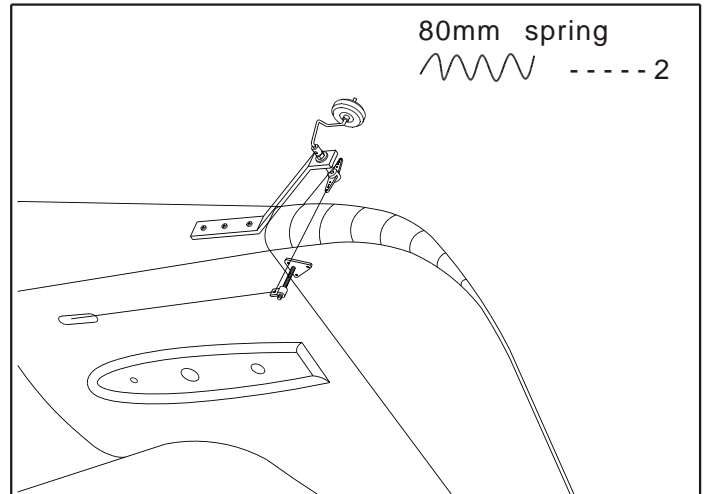


## 16 Install the rudder

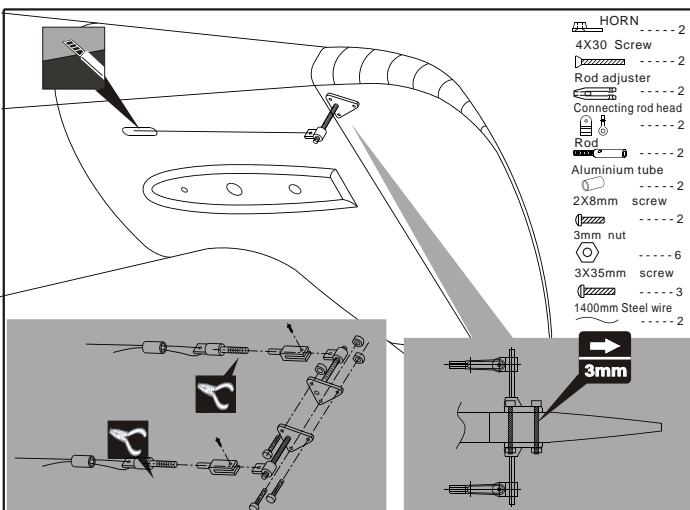


**Warning!**  
Securely glue together. If coming off during flights, you'll lose control of your airplane which leads to accidents!

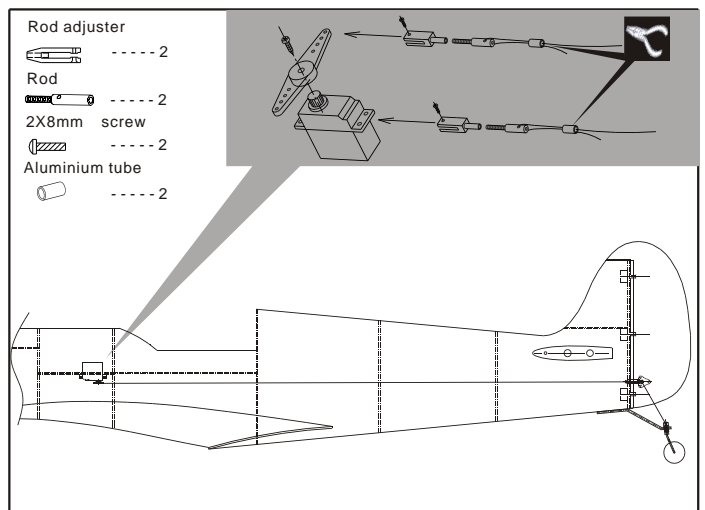
## 19 Install the servo of rudder&tail wheel



## 17 Install the servo of rudder&tail wheel

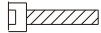

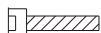

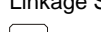
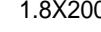

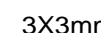


## 20 Install the servo of rudder&tail wheel

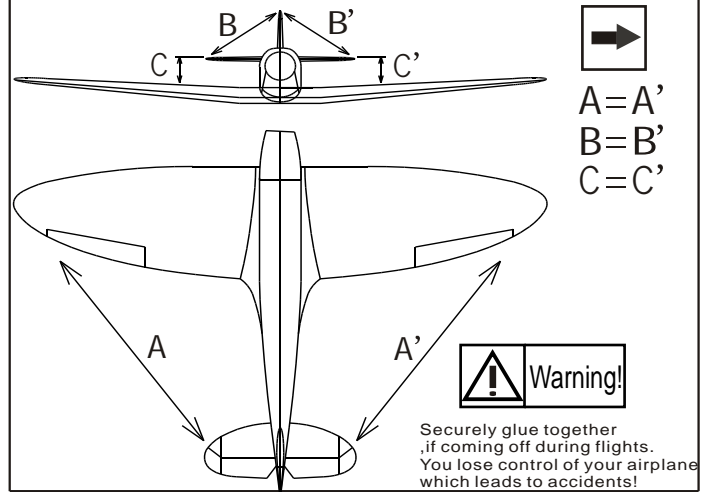




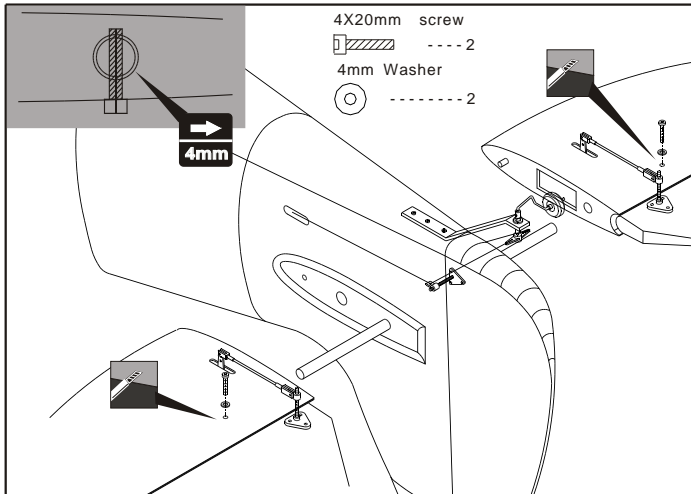
## Accessory list for this page.

4X20mm screw  ----- 2	8X40mm Carbon tube  ----- 2
5X30mm screw  ----- 4	4mm Washer  ----- 2
Linkage Stopper  ----- 1	1.8X200mm Rod  ----- 1
2mm Nut  ----- 1	3X3mm Screw  ----- 1

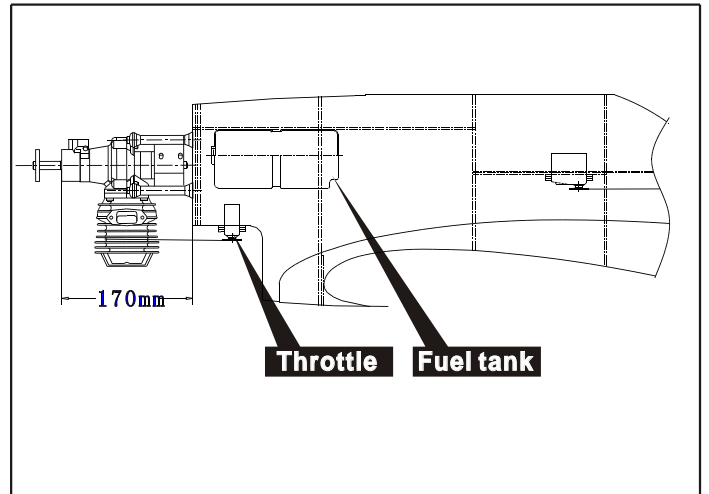
## 23 Main wing & Horizontal/Vertical tail



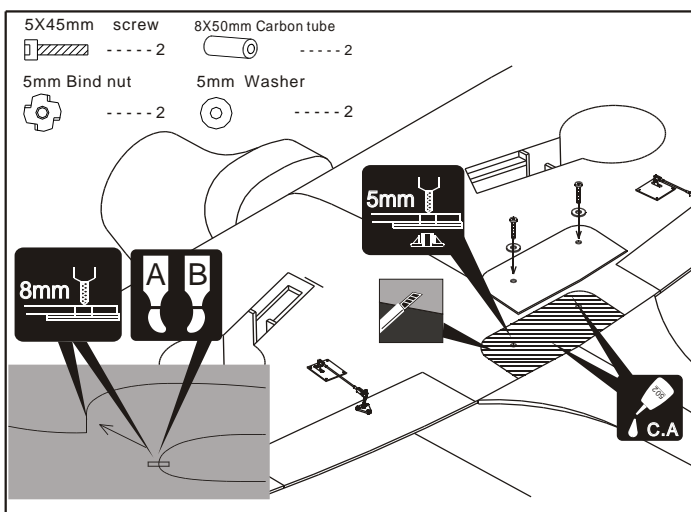
## 21 Horizontal (Put the servo into the fuselage)



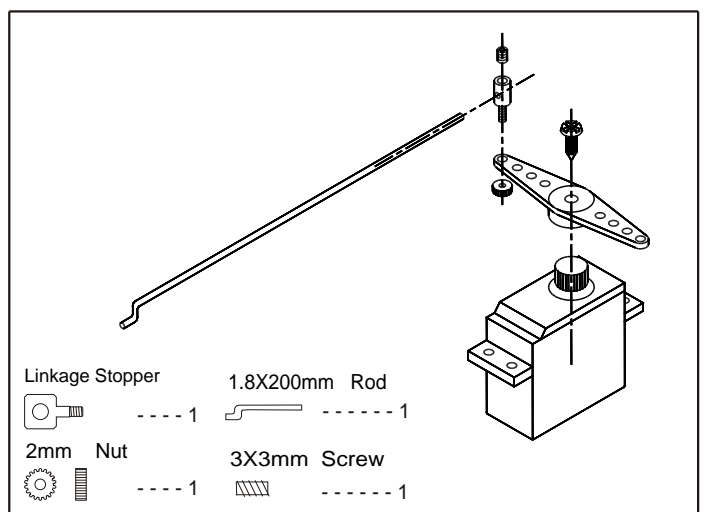
## 24 Installing the engine (50cc)



## 22 Main wing installing



## 25 Install the throttle servo





## Accessory list for this page.

3X16mm screw



3mm rubber band



3mm Bind nut



6mm Plywood



3mm Washer

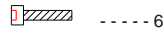


2.3X10 Tp screw



## 28 Install the thr cowling

3X16mm screw



3mm Bind nut



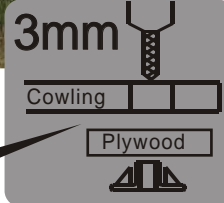
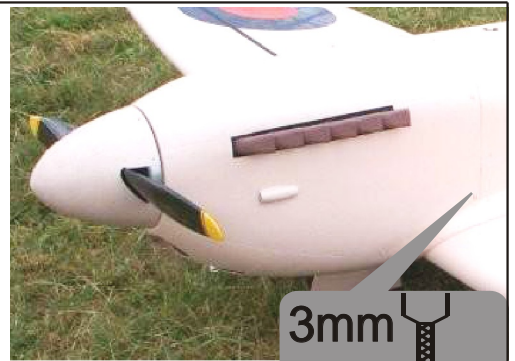
3mm Washer



3mm rubber band

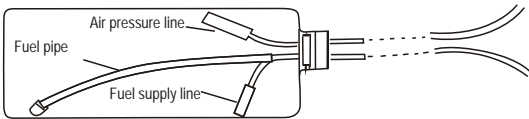
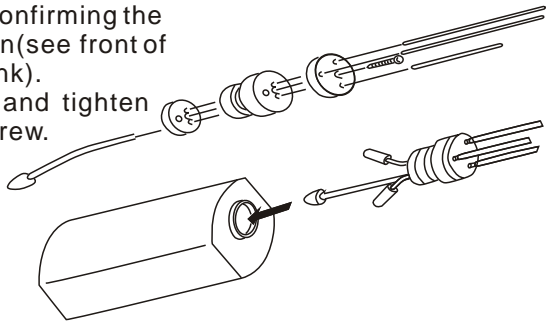


6mm Plywood



## 26 Assembly of the full tank

After confirming the position(see front of fuel tank).  
Insert and tighten the screw.



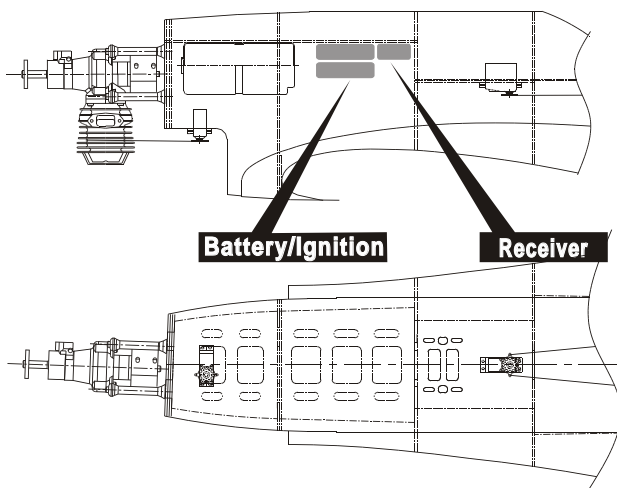
## 29 Install the thr cowling

Propeller



Spinner

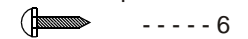
## 27 Radio Equipment



## 30 Install the canopy

Cut away the surplus parts of canopy, carefully along the shaded line.

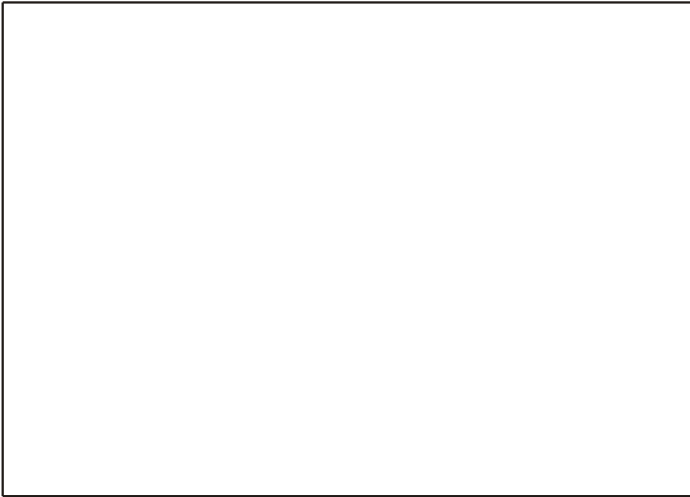
2.3X10 Tp screw



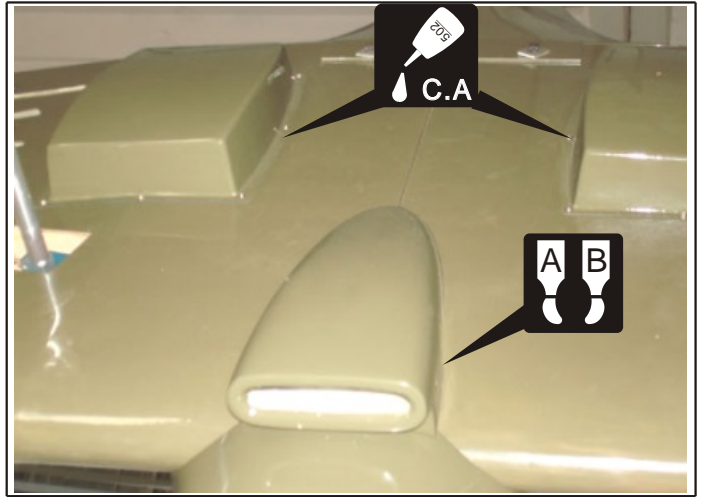




Accessory list for this page.



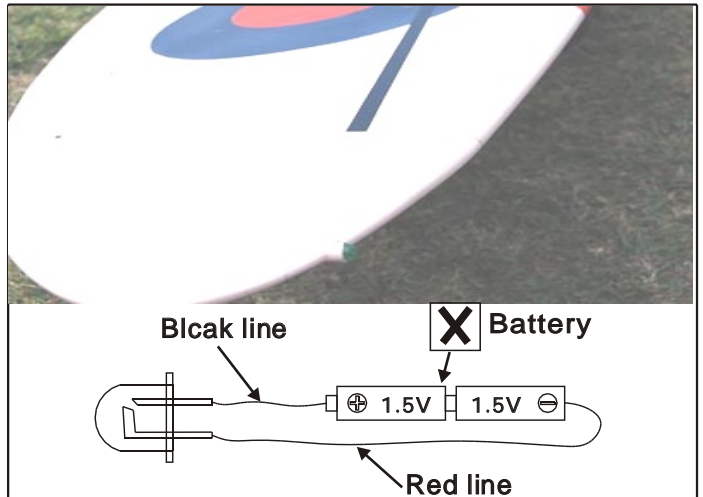
### 33 Install the canopy



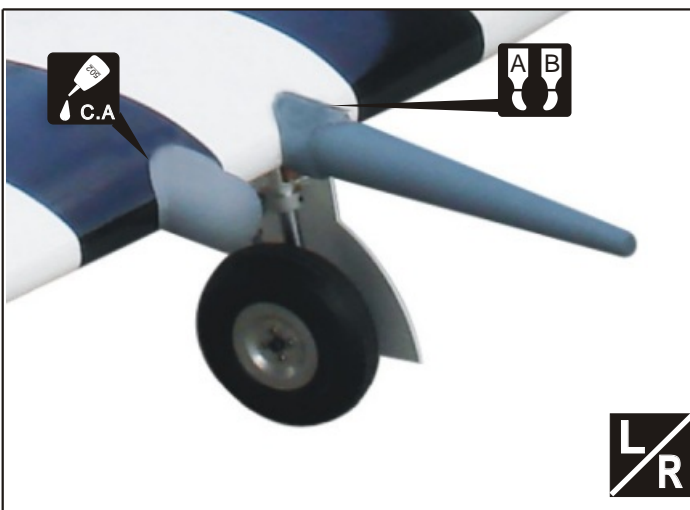
### 31 Install the canopy



### 34 Install the canopy



### 32 Install the canopy

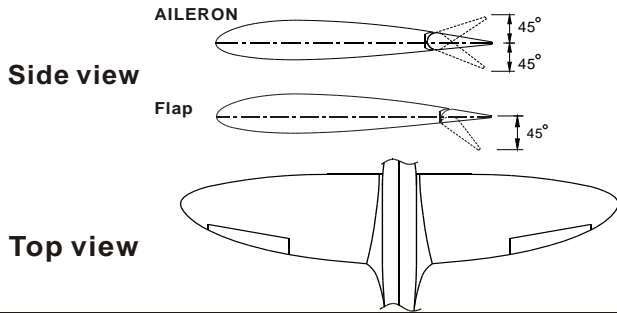


### 35



## 36 Adjustment.

Adjust the travel of each control surface to the values in the diagrams.  
These values fit general flight capabilities.  
Readjust according to your needs and flight level.



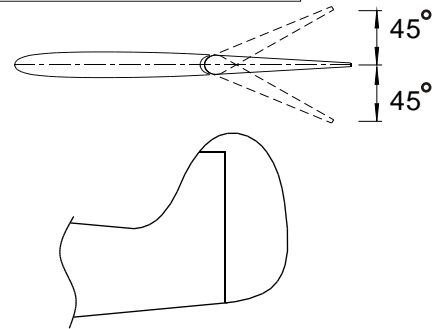
## 38 Adjustment

Adjust the travel of each control surface to the values in the diagrams.  
These values fit general flight capabilities.  
Readjust according to your needs and flight level.

Rudder

Side view

Top view



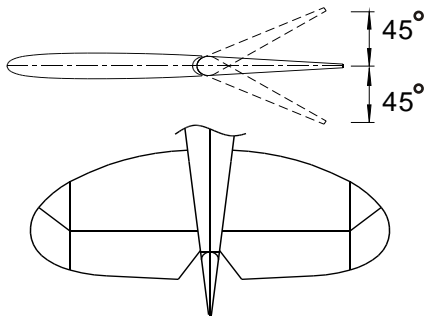
## 37 Adjustment.

Adjust the travel of each control surface to the values in the diagrams.  
These values fit general flight capabilities.  
Readjust according to your needs and flight level.

ELEVATOR

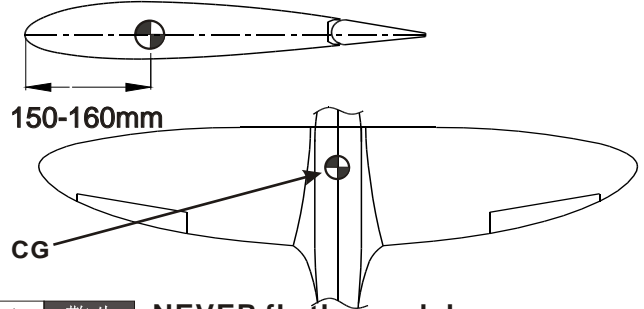
Side view

Top view



## 39 Adjustment.

Never fly before checking the Cg' s required position.  
In order to obtain the CG specified ,reposition the receiver and battery.



警告  
Warning!

**NEVER** fly the model  
without well balancing.